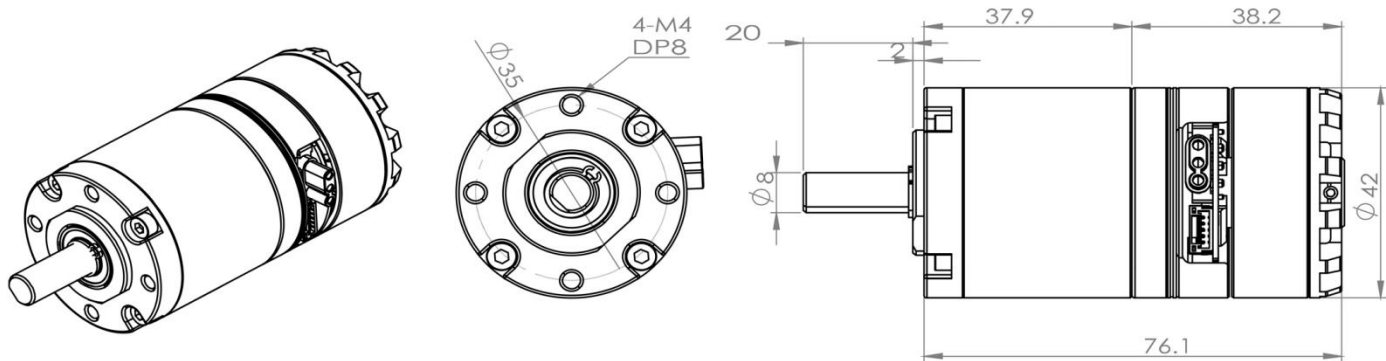


MX3310KV200HA-GP42L2A



Unit:mm

Signal connector:	GH1.25-F-5P
Signal cable :	GH5P-M-28AWG-15cm
Phase connector :	MR30PW-F
Phase cable:	MR30-M-22AWG-15cm

Pin definition(left to right):
HW HV HU 5V GND W V U

FEATURES

General Features

Unit

Diameter	mm	42
Body length	mm	76.1
Output shaft diameter	mm	8
Output shaft length	mm	20

Motor Features

Unit

Motor type	BLDC outrunner								
Motor model	MX3310KV200HA								
Pole pairs	7								
Number of phases	3								

*For more motor features please refer datasheet "MX3310KV200HA".

Gearbox Features

Unit

Gearbox model	GP42L2A	
Gearbox type	Planetary	
Gear ratio	K	10.2/13.7/19.2
Gearbox levels	2	
Gearbox diameter	mm	42
Gearbox length	mm	37.9
Gearbox efficiency	90%	
Operating torque	kg*cm	60
Brakeing torque	kg*cm	180

Nominal & Stall

Unit

Gearbox ratio	K	10.2	10.2	10.2	13.7	13.7	13.7	19.2	19.2	19.2
Nominal voltage	V	12	24	48	12	24	48	12	24	48
Noload speed	rpm	235	471	941	175	350	701	125	250	500
Nominal speed	rpm	147	333	765	109	248	569	78	177	406
Nominal torque	mNm	1.0	1.8	3.6	1.4	2.5	4.8	1.9	3.5	6.7
Nominal current	A	2.2	2.2	3.7	7.2	2.2	2.2	3.7	7.2	2.2
Maximal power	W	20	20	70	240	20	20	70	240	20
Maximal efficiency		72%	77%	77%	72%	77%	77%	72%	77%	77%
Stall torque*	Nm	3.1	4.1	7.5	4.1	5.5	10	5.8	7.7	14
Stall current	A	3.5	3.5	5.5	9.8	3.5	3.5	5.5	9.8	3.5

Attention: Stall operation is not recommended, please do necessary protection to avoid irreparable damage!