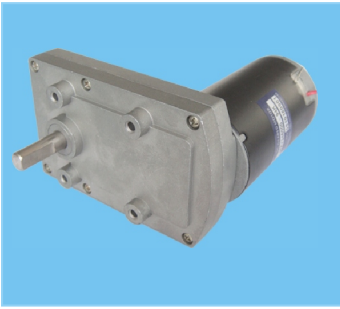


TT-45ZY 直流减速电机 DC GEAR MOTOR Series SGMADA®



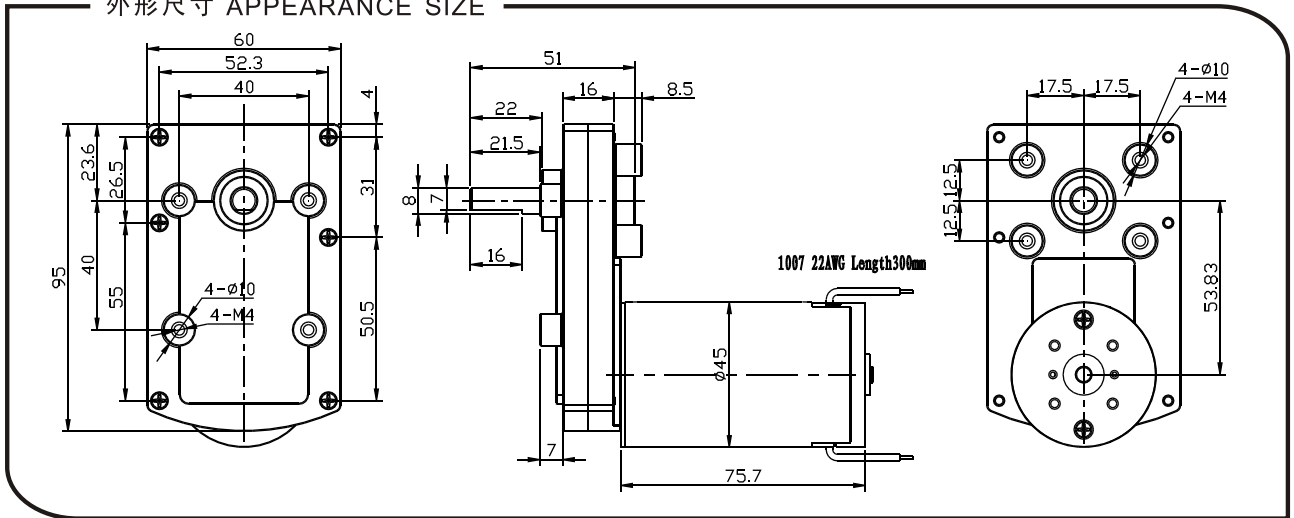
电压/Main voltage: 3VDC、6VDC、9VDC、12VDC、24VDC

用途/Typical applications: 焊机、垃圾处理器、咖啡机、印刷机、稳压机、碎纸机、输卡机、中央空调阀门、办公设备、家用设备、执行器
Central air-conditioning valve, Amusement equipment, Coinrefund devices, Grill, Oven, Peristaltic pumps, ATM bank automatic system, Robot, Medical equipment, Office equipment, Household appliances, Automatic actuator.

重量/Weight: 650~700g/pcs(approx)

包装外形尺寸/Packing details: CTN size: 55X35XH18cm 24pcs/CTN G.W.18kgs

外形尺寸 APPEARANCE SIZE



齿轮箱数据 Gearbox data

| 减速箱级数 Number of stages | 3 减速比 Stages reduction | 4 减速比 Stages reduction | 5 减速比 Stages reduction |
|------------------------------------|------------------------|------------------------|------------------------|
| 减速比 Reduction ratio | 36、66、 94 | 149、196、211、277、394 | 624、830、1166 |
| 最大运转力矩 Max. Running torque | 5kgf.cm | 20kgf.cm | 50kgf.cm |
| 最大破坏力矩 Max. Gear breking torque | 30kgf.cm | 60kgf.cm | 150kgf.cm |
| 最高齿轮效率 Max. Gearing efficiency | 73% | 65% | 59% |

其它减速比请致电或邮件给我司技术部 Other reduction ratio please telephone or e-mail to our engineering department.

马达参数 Motor data

| 马达型号 Motor Model | 电压 Rated Volt. V | 空载 No load | | 负载 Load torque | | | | 堵转 Stall torque | |
|---------------------|------------------------|---------------|-------------|-------------------|-------------|--------------|----------------------|--------------------|---------------|
| | | 电流 Current | 转速 Speed | 电流 Current | 转速 Speed | 扭矩 Torque | 输出功率 Output power | 扭矩 Torque | 电流 Current |
| | | mA | r/min | mA | r/min | gf.cm | W | gf.cm | A |
| TT-45ZY123000 | 12 | ≤210 | 3000 | ≤1200 | 2430 | 390 | 9.5 | 2470 | 6.6 |
| TT-45ZY124500 | 12 | ≤440 | 4500 | ≤2050 | 3710 | 480 | 17.8 | 2706 | 10.2 |
| TT-45ZY126000 | 12 | ≤630 | 6000 | ≤4150 | 5240 | 610 | 31.9 | 4700 | 20.3 |
| TT-45ZY243000 | 24 | ≤120 | 3000 | ≤620 | 2590 | 380 | 9.84 | 2160 | 3.4 |
| TT-45ZY244500 | 24 | ≤270 | 4500 | ≤1340 | 3850 | 490 | 18.8 | 3233 | 5.5 |
| TT-45ZY246000 | 24 | ≤360 | 6000 | ≤2050 | 5120 | 650 | 33.2 | 4715 | 12.2 |

- 马达和齿轮箱装配成减速电机后输出扭矩 = 马达扭矩X减速比X齿轮效率;输出转速 = 马达转速 / 减速比 .
- After connecting motor and gearbox which is named gearmotor the output torque: motor torque X reduction ratio X gearing efficiency; output speed: motor speed/reduction ratio .