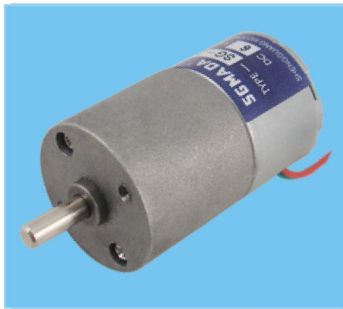


SG-27 直流减速电机 DC GEAR MOTOR Series SGMADA®



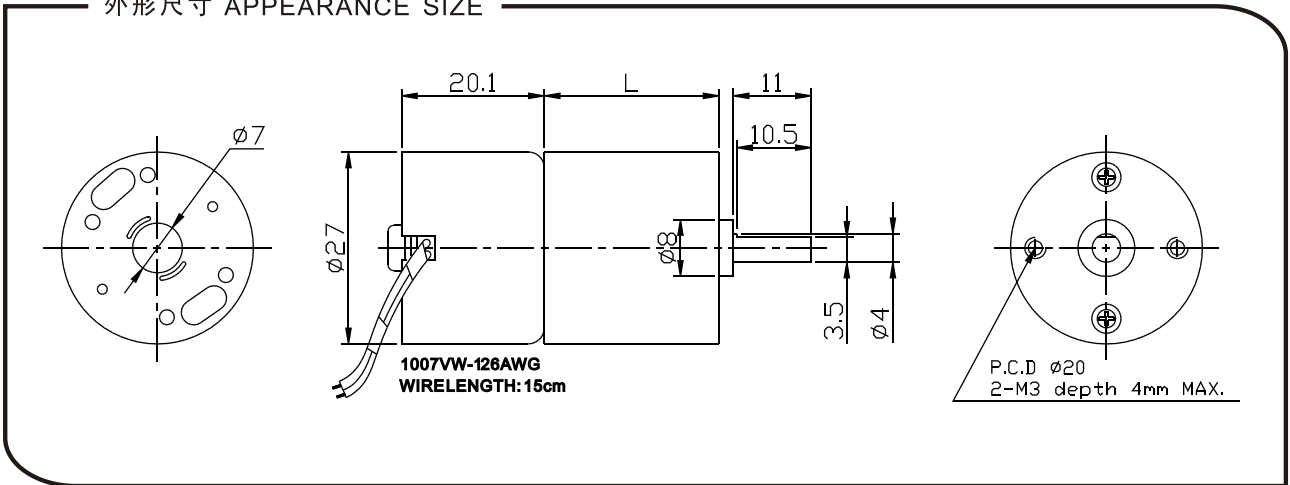
电压/Main voltage: 3VDC、6VDC、9VDC、12VDC、24VDC、36VDC

用途/Typical applications: 各种指纹锁、水表IC卡、玩具礼品、光学设备、自动节能浴具、办公设备、家用电器、执行器
 Kind of figer-electroni locks, Water meter IC card, Toys and gifts, Optical equipment, Automatic energy saving bath, Office equipment, Household appliances, Automatic actuator.

重量/Weight: 80~90g/pcs(approx)

包装外形尺寸/Packing details: CTN size: 37X27.5XH21cm 200pcs/CTN G.W.18kgs

外形尺寸 APPEARANCE SIZE



齿轮箱数据 Gearbox data

减速箱级数 Number of stages	4 减速比	5 减速比 Stages reduction	6 减速比 Stages reduction	7 减速比 Stages reduction
减速比 Reduction ratio	30、39	74、97	187、244	468、610
齿轮箱长度 Gearbox length "L" mm	17.1	19.6	22.1	24.6
最大运转力矩 Max. Running torque	0.5kgf.cm	1kgf.cm	2kgf.cm	3kgf.cm
最大破坏力矩 Max. Gear breking torque	1.5kgf.cm	3kgf.cm	6kgf.cm	9kgf.cm
最高齿轮效率 Max. Gearing efficiency	65%	59%	53%	48%

其它减速比请致电或邮件给我司技术部 Other reduction ratio please telephone or e-mail to our engineering department.

马达参数 Motor data

马达型号 Motor Model	电 压 Rated Volt. V	空 载 No load		负 载 Load torque				堵 转 Stall torque	
		电 流 Current	转 速 Speed	电 流 Current	转 速 Speed	扭 矩 Torque	输出 功率 Output power	扭 矩 Torque	电 流 Current
		mA	r/min	mA	r/min	gf. cm	W	gf. cm	MA
SG-27063800	6	≤30	3800	≤150	2850	16	0.46	64	500
SG-27065000	6	≤40	5000	≤250	3750	21	0.78	80	900
SG-27123800	12	≤15	3800	≤80	2850	16	0.46	64	250
SG-27125000	12	≤20	5000	≤130	3800	21	0.78	80	450
SG-27127600	12	≤40	7600	≤300	5700	31	1.8	120	1100
SG-27246000	24	≤25	6000	≤100	4500	24	1.1	95	320

- 马达和齿轮箱装配成减速电机后输出扭矩 = 马达扭矩X减速比X齿轮效率;输出转速 = 马达转速 / 减速比 .
- After connecting motor and gearbox which is named gearmotor the output torque: motor torque X reduction ratio x gearing efficiency; output speed: motor speed/reduction ratio .