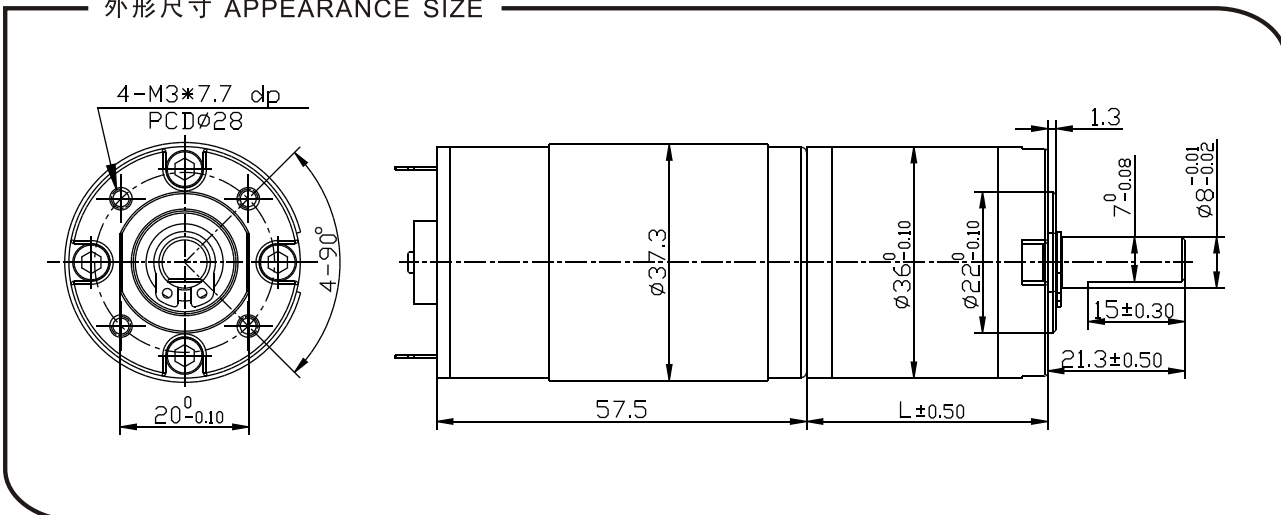




用途/Typical applications: 遥控窗帘、监控云台/云台、自动售货机/老虎机、验钞机、硬币退币机、点钞机、柔巾机、自动门、覆膜机、自动电视架、办公设备、家用电器

Auto shutter, Pan/Tilt camera, Slot machine, Money detector, Coin refund devices, Currency count machine, Towel dispensers, Automatic doors, Peritoneal machine, Automatic TV rack, Office equipment, Household appliances, Automatic actuator.

外形尺寸 APPEARANCE SIZE



齿轮箱数据 Gearbox data

减速箱级数 Number of stages	1 减速比 Stages reduction	2 减速比 Stages reduction	3 减速比 Stages reduction	4 减速比 Stages reduction	5 减速比 Stages reduction
减速比 Reduction ratio	3.7、5.2	13.7、19.2、26.9	50.9、71.2、 99.5 、139	188、246、369、516、721	699、977、1367、1911、2672、3736
减速比 Reduction ratio	26.4	32.6	38.9	45.3	52.5
最大运转力矩 Max. Running torque	10kgf.cm	20kgf.cm	50kgf.cm	50kgf.cm	50kgf.cm
最大破坏力矩 Max. Gear breking torque	30kgf.cm	60kgf.cm	150kgf.cm	150kgf.cm	150kgf.cm
最高齿轮效率 Max. Gearing efficiency	90%	81%	73%	65%	59%

其它减速比请致电或邮件给我司技术部 Other reduction ratio please telephone or e-mail to our engineering department.

马达参数 Motor data

马达型号 Motor Model	电 压 Rated Volt. V	空 载 No load		负 载 Load torque				堵 转 Stall torque	
		电 流 Current	转 速 Speed	电 流 Current	转 速 Speed	扭 矩 Torque	输出 功率 Output power	扭 矩 Torque	电 流 Current
		mA	r/min	mA	r/min	gf.cm	W	gf.cm	A
RS-555123000	12	≤140	3000	≤600	2458	179	4.51	1210	3.1
RS-555124500	12	≤200	4500	≤900	3929	183	7.42	1508	6.0
RS-555126000	12	≤320	6000	≤1450	5244	215	11.5	1722	9.3
RS-555243500	24	≤115	3500	≤480	3041	246	7.7	1720	2.7
RS-555244500	24	≤110	4500	≤460	3984	189	7.8	1713	3.4
RS-555246000	24	≤140	6000	≤920	5305	243	13.2	2065	5.5
RS-555249500	24	≤280	9500	≤1900	8190	386	32.5	2797	11.7

• 马达和齿轮箱装配成减速电机后输出扭矩 = 马达扭矩X减速比X齿轮效率;输出转速 = 马达转速 / 减速比 .
 • After connecting motor and gearbox which is named gearmotor the output torque: motor torque X reduction ratio X gearing efficiency; output speed: motor speed/reduction ratio .