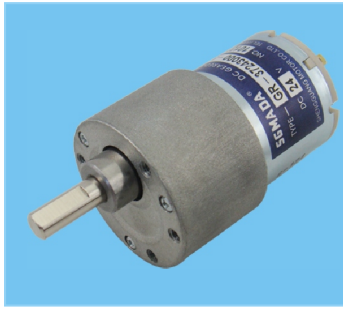


GR-37 直流减速电机 DC GEAR MOTOR Series **SGMADA®**



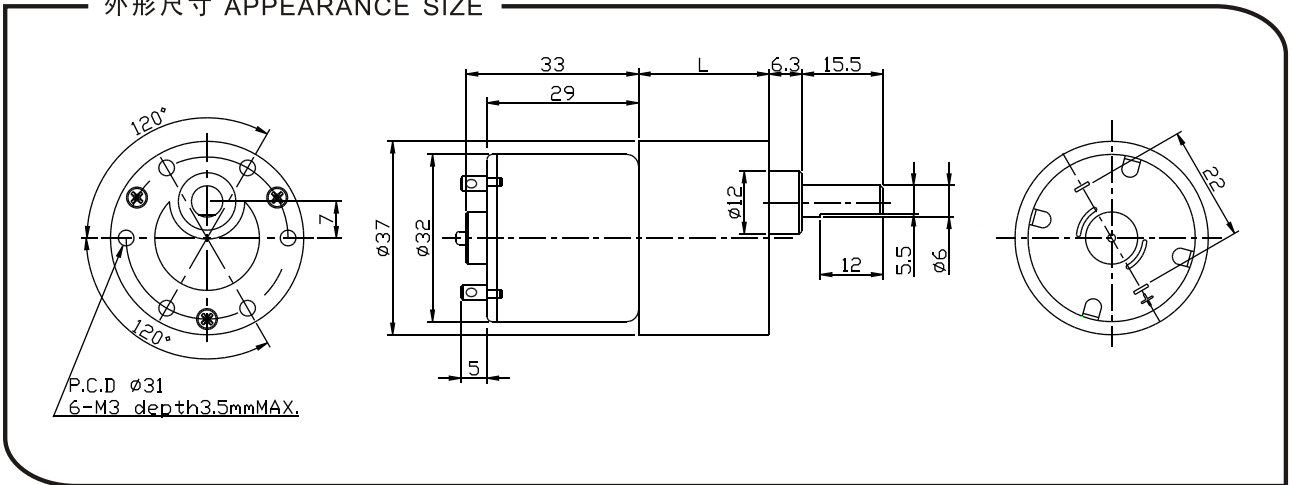
电压/Main voltage: 3VDC、6VDC、9VDC、12VDC、24VDC

用途/Typical applications: 自动百叶窗、自动售货机、点钞机、装订机、移动电视机架、包装机、舞台灯光、纸币机、办公设备、家用电器、执行器
Auto shutter, Money detector, Binding machine, Automatic TV rack, Packing bank note machine, Stage Lighting, Tissue machine, Office equipment, Household appliances, Automatic actuator.

重量/Weight: 120~160g/pcs(approx)

包装外形尺寸/Packing details: CTN size: 36.5X31X17cm 60pcs/CTN G.W.11kgs

外形尺寸 APPEARANCE SIZE



齿轮箱数据 Gearbox data

减速箱级数 Number of stages	2、3 减速比 Stages reduction	4、5 减速比 Stages reduction	6、7 减速比 Stages reduction
减速比 Reduction ratio	6、10; 20、30	60、90; 120、180、270	360、540、810; 1620、2430
齿轮箱长度 Gearbox length "L" mm	22.5	25 27	29
最大运转力矩 Max. Running torque	2kgf.cm	10kgf.cm	10kgf.cm
最大破坏力矩 Max. Gear breking torque	8kgf.cm	30kgf.cm	30kgf.cm
最高齿轮效率 Max. Gearing efficiency	81%; 73%	65%; 59%	53%; 48%

其它减速比请致电或邮件给我司技术部 Other reduction ratio please telephone or e-mail to our engineering department.

马达参数 Motor data

马达型号 Motor Model	电压 Rated Volt. V	空载 No load		负载 Load torque				堵转 Stall torque	
		电流 Current	转速 Speed	电流 Current	转速 Speed	扭矩 Torque	输出功率 Output power	扭矩 Torque	电流 Current
		mA	r/min	mA	r/min	gf.cm	W	gf.cm	MA
GR-37123400	12	≤40	3400	≤180	2500	40	1.0	160	720
GR-37124500	12	≤60	4500	≤350	3300	60	2.0	210	1400
GR-37126000	12	≤70	6000	≤720	4500	80	3.6	300	2800
GR-37243000	24	≤15	3000	≤80	2200	40	0.9	140	320
GR-37244500	24	≤25	4500	≤180	3300	60	2.0	210	730
GR-37246700	24	≤45	6700	≤360	4500	80	3.6	300	1400

- 马达和齿轮箱装配成减速电机后输出扭矩 = 马达扭矩X减速比X齿轮效率; 输出转速 = 马达转速 / 减速比 .
- After connecting motor and gearbox which is named gearmotor the output torque: motor torque X reduction ratio x gearing efficiency; output speed: motor speed/reduction ratio .