

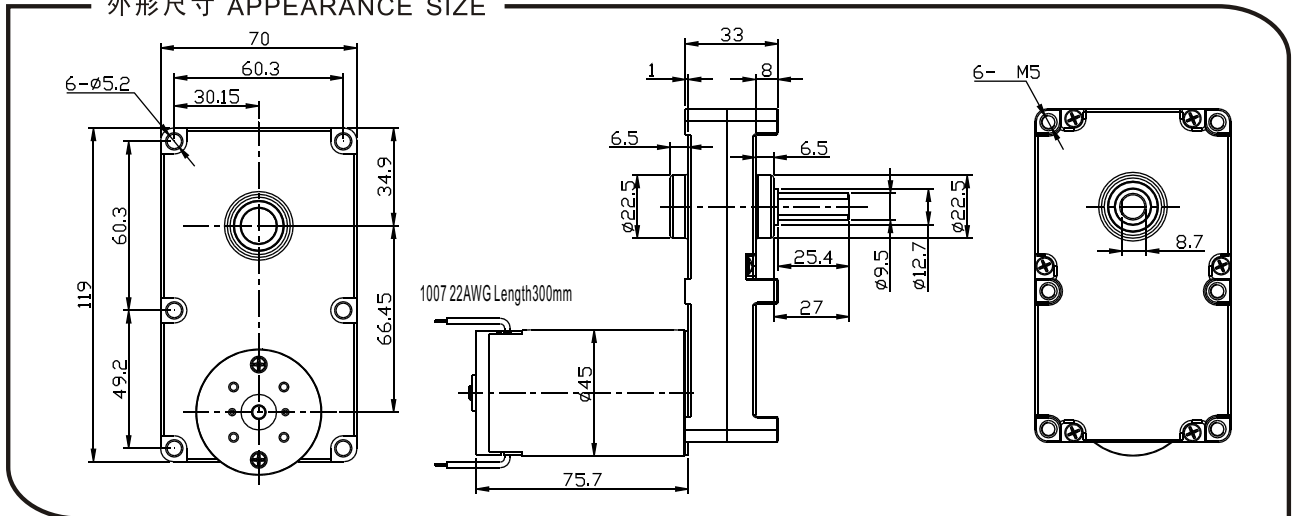
电压/Main voltage: 3VDC、6VDC、9VDC、12VDC、24VDC、36VDC

用途/Typical applications: 烤箱、烤炉、光学望远镜、自动门、广告灯箱、医疗器械、航模、碎纸机、办公设备、家用设备、执行器
Grill, Oven, Angular telescope, Garage gate, Electric advertising, Medical equipment, Aeromodelling, Paper shredder, Office equipment, Household appliances, Automatic actuator.

重量/Weight: 900~950g/pcs(approx)

包装外形尺寸/Packing details: CTN size: 31X30XH28cm 12pcs/CTN G.W.14kgs

外形尺寸 APPEARANCE SIZE



齿轮箱数据 Gearbox data

减速箱级数 Number of stages	3 减速比 Stages reduction	4 减速比 Stages reduction	4 减速比 Stages reduction	5 减速比 Stages reduction	6 减速比 Stages reduction
减速比 Reduction ratio	127	251	389、590、722、897	1269、1601、1929	3385、5078
最大运转力矩 Max. Running torque	30kgf.cm	30kgf.cm	50kgf.cm	80kgf.cm	100kgf.cm
最大破坏力矩 Max. Gear breking torque	90kgf.cm	90kgf.cm	150kgf.cm	240kgf.cm	300kgf.cm
最高齿轮效率 Max. Gearing efficiency	73%	65%	65%	59%	53%

其它减速比请致电或邮件给我司技术部 Other reduction ratio please telephone or e-mail to our engineering department.

马达参数 Motor data

马达型号 Motor Model	电压 Rated Volt. V	空载 No load		负载 Load torque				堵转 Stall torque	
		电流 Current	转速 Speed	电流 Current	转速 Speed	扭矩 Torque	输出功率 Output power	扭矩 Torque	电流 Current
		mA	r/min	mA	r/min	gf.cm	W	gf.cm	A
GF-45ZY123000	12	≤210	3000	≤1200	2430	390	9.5	2470	6.6
GF-45ZY124500	12	≤440	4500	≤2050	3710	480	17.8	2706	10.2
GF-45ZY126000	12	≤630	6000	≤4150	5240	610	31.9	4700	20.3
GF-45ZY243000	24	≤120	3000	≤620	2590	380	9.84	2160	3.4
GF-45ZY244500	24	≤270	4500	≤1340	3850	490	18.8	3233	5.5
GF-45ZY246000	24	≤360	6000	≤2050	5120	650	33.2	4715	12.2

- 马达和齿轮箱装配成减速电机后输出扭矩 = 马达扭矩X减速比X齿轮效率;输出转速 = 马达转速 / 减速比 .
- After connecting motor and gearbox which is named gearmotor the output torque: motor torque X reduction ratio X gearing efficiency; output speed: motor speed/reduction ratio .